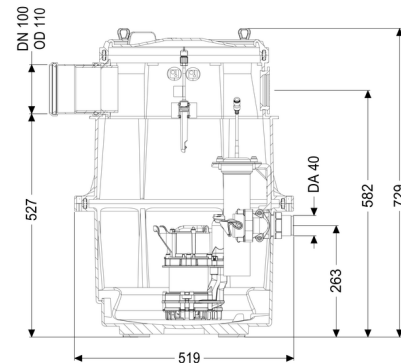
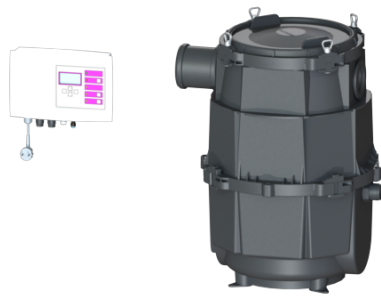


Lifting station Aqualift S Duo, KTP 500-S1, Free-standing set-up



Article information

Item no.: 28541-C
 GTIN: 4026092058534
 Price group: 20

Advantages

- System ready to plug in
- One-handed closures enable easy removal of the integrated components
- Control unit with self-diagnosis system

Description

The lifting station for faecal-free wastewater is equipped with a submersible pump and a backflow preventer. The collection tank made of permanently resistant polymer (PE) offers universal connection options. One-handed closures enable easy removal of the integrated components.

The station is controlled optionally by a float switch (Mono) or a user-friendly control unit (Tronic and Duo), which are optionally integrated in the building management system via a potential-free contact or alarm and collective fault messages can be output via a GSM interface.

Type of wastewater:

wastewater without sewage

Installation situation:

free-standing set-up

Version:

Type of system:

Twin pump station

Pump control:

Control unit

Backflow preventer:

integrated

Delivery state:

Pre-mounted for final assembly on site (pumps and sensor system must be fitted on site and control unit must be connected)

General characteristics:

Colour:	black
Standard:	EN 12050-2

Dimensions:

Length:	500 mm
Width:	500 mm
Height:	720 mm

Tank:

Number of inlets:	1 ST
Inlet nominal size (DN):	100
Inlet nominal size (OD):	110 mm
Inlet max. scoring (DN):	100 mm
Distance pipe bottom inlet to tank bottom:	530 mm
Distance from centre of outlet pipe to tank bottom:	258 mm
Distance from centre of inlet pipe to tank bottom:	585 mm
Tank volume:	55 l
Pressure pipe connection:	horizontal
Pressure pipe connection (DN):	32 mm
Pressure pipe connection (OD):	40 mm
Venting connection (DN):	70 mm

Coverage features:

Cover material:	Polymer
Colour of cover:	black
Length:	420 mm
Width:	420 mm
Height:	70 mm
Locking:	wedged
Free passage:	10 mm

Pumping device:

Pump:	GTF 500
Number of pumps:	2
Max. pumping capacity:	10 m ³ /h
Max. pumping height:	8 m
Operating voltage:	230 V

Mains frequency:	50 Hz
Operating mode:	S1
Power P1:	0.6 kW
Power P2:	0.36 kW
Speed:	2,800 U/min
Type of fuse required (electrical protection):	C 16 A
Max. temperature (permanent) of conveyed material:	40 °C
Connection type:	Schuko (earthed contact) 2-pin
Weight:	6 kg
Impeller type:	Multi-vane impeller
Length of mains cable for pump:	5 m
Rated current:	2.7 A
Protection class (pump):	IP 68 (3m)
Protection class:	I
Type of pump connection cable:	H07RN-F 3G 1.0 mm ²
Temperature monitoring:	integrated
Cos phi - power factor:	0.91
Insulation class:	F

Control:

Control unit:	Comfort
Operating voltage:	230 V
Mains frequency:	50 Hz
Self-diagnosis system (SDS):	yes
Battery buffering:	yes
Multi-line display:	yes
Log book function:	yes
USB interface:	yes
GSM interface:	yes
Potential-free contact:	optional
Type of fuse required (electrical protection):	C 16 A
Protection class control unit:	IP 54
Length of mains cable for control unit:	1.4 m
Type of level measurement:	pneumatic
Level measurement instrument:	Immersion pipe
Alarm sensor:	optical probe