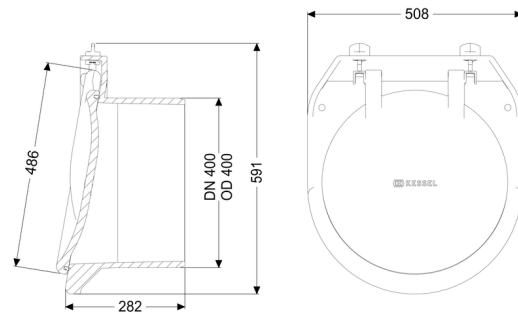


Pipe flap valve DN 400



Article information

Item no.: 79400
 GTIN: 4026092011669
 Price group: 10

Advantages

- For universal use in salt and fresh water environments
- Low weight for simple installation with high mechanical strength
- High tightness: seals airtight even with low counter-pressure

Description

The pipe flap valve serves as an end piece and has a mechanical flap which closes automatically.

| | |
|---------------------------------------|---------------------------|
| Type of wastewater: | wastewater without sewage |
| Installation situation: | exposed drainage pipe |
| Delivery state: | installation-ready |
| Number of mechanical backwater flaps: | 1 |

General characteristics:

| | |
|----------------------|-------|
| Nominal size (DN): | 400 |
| Outer diameter (OD): | 405 |
| Colour: | black |

Dimensions:

| | |
|---------|--------|
| Length: | 295 mm |
| Width: | 417 mm |
| Height: | 420 mm |