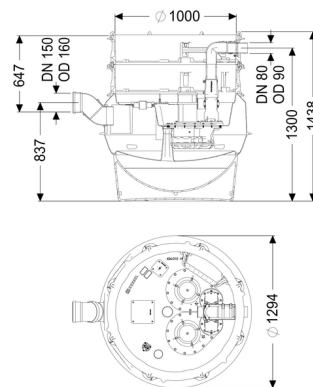


## Pumping station Aquapump F XL Duo, SPF 1400-S3



### Article information

Item no.: 8742004  
 GTIN: 4026092068595  
 Price group: 60

### Advantages

- Maximum safety
- Flexible installation
- Hygienic advantages for maintenance and repair

### Description

The pumping station for faecal and faecal-free wastewater is equipped with a submersible pump, a backflow preventer and a shut-off valve for the pressure pipe. The collection tank made of permanently resistant polymer (PE) has a closed pump tank (dry installation) with a screwed-on access cover.

The station is controlled by a user-friendly control unit, which is optionally integrated in the building management system via a potential-free contact. Alternatively, alarm and collective fault messages can be output via a GSM interface.

The KESSEL modular system provides different upper sections and engineering chamber options as accessories.

Type of wastewater:	wastewater with sewage
Installation situation:	underground installation, floor slab installation

### Version:

Type of system:	Twin pump station
Installation:	Dry installation
Shut-off valve:	Shut-off valve made of polymer
Pump control:	Control unit
Backflow preventer:	integrated
Access steps:	yes

Note on installation depth: Version for deeper installation, in combination with a chamber module

Delivery state: Pre-mounted for final assembly on site (pumps and sensor system must be fitted on site and control unit must be connected)

### General characteristics:

Colour: black  
Standard: EN 12050-1

### Dimensions:

Length: 1,295 mm  
Width: 1,295 mm  
Height: 1,403 mm

### Tank:

Number of inlets: 1 ST  
Inlet nominal size (DN): 150  
Inlet nominal size (OD): 160 mm  
Distance pipe bottom inlet to tank bottom: 753 mm  
Distance from centre of outlet pipe to tank bottom: 1,300 mm  
Distance from centre of inlet pipe to tank bottom: 833 mm  
Tank volume: 335 l  
Pumping volume: 160 l  
Pressure pipe connection: horizontal  
Pressure pipe connection (DN): 80 mm  
Pressure pipe connection (OD): 90 mm  
Venting connection (DN): 70 mm  
Groundwater resistant from lower edge of base section: 3,000 mm  
Clear width of tank (LW): 1,000 mm  
Free passage: 40 mm

### Pumping device:

Pump: SPF 1400  
Number of pumps: 2  
Max. pumping capacity: 38 m<sup>3</sup>/h  
Max. pumping height: 7 m  
Operating mode: S3 - 50 %

Power P1:	1.6 kW
Power P2:	1.1 kW
Speed:	1,370 U/min
Max. temperature (permanent) of conveyed material:	40 °C
Connection type:	coded plug
Weight:	25 kg
Impeller type:	Multi-vane impeller
Length of mains cable for pump:	10 m
Rated current:	7.3 A
Protection class (pump):	IP 68 (3m/48h)
Protection class:	I
Type of pump connection cable:	H07RN-F 3G 1.5 mm <sup>2</sup>
Temperature monitoring:	integrated
Cos phi - power factor:	0.98
Insulation class:	F

### **Control:**

Control unit:	Comfort
Operating voltage:	230 V
Mains frequency:	50 Hz
Self-diagnosis system (SDS):	yes
Battery buffering:	yes
Multi-line display:	yes
Log book function:	yes
USB interface:	yes
GSM interface:	yes
Potential-free contact:	optional
Type of fuse required (electrical protection):	C 16 A
Protection class control unit:	IP 54
Length of mains cable for control unit:	1.4 m
Type of level measurement:	pneumatic
Level measurement instrument:	Immersion pipe
Alarm sensor:	Immersion pipe