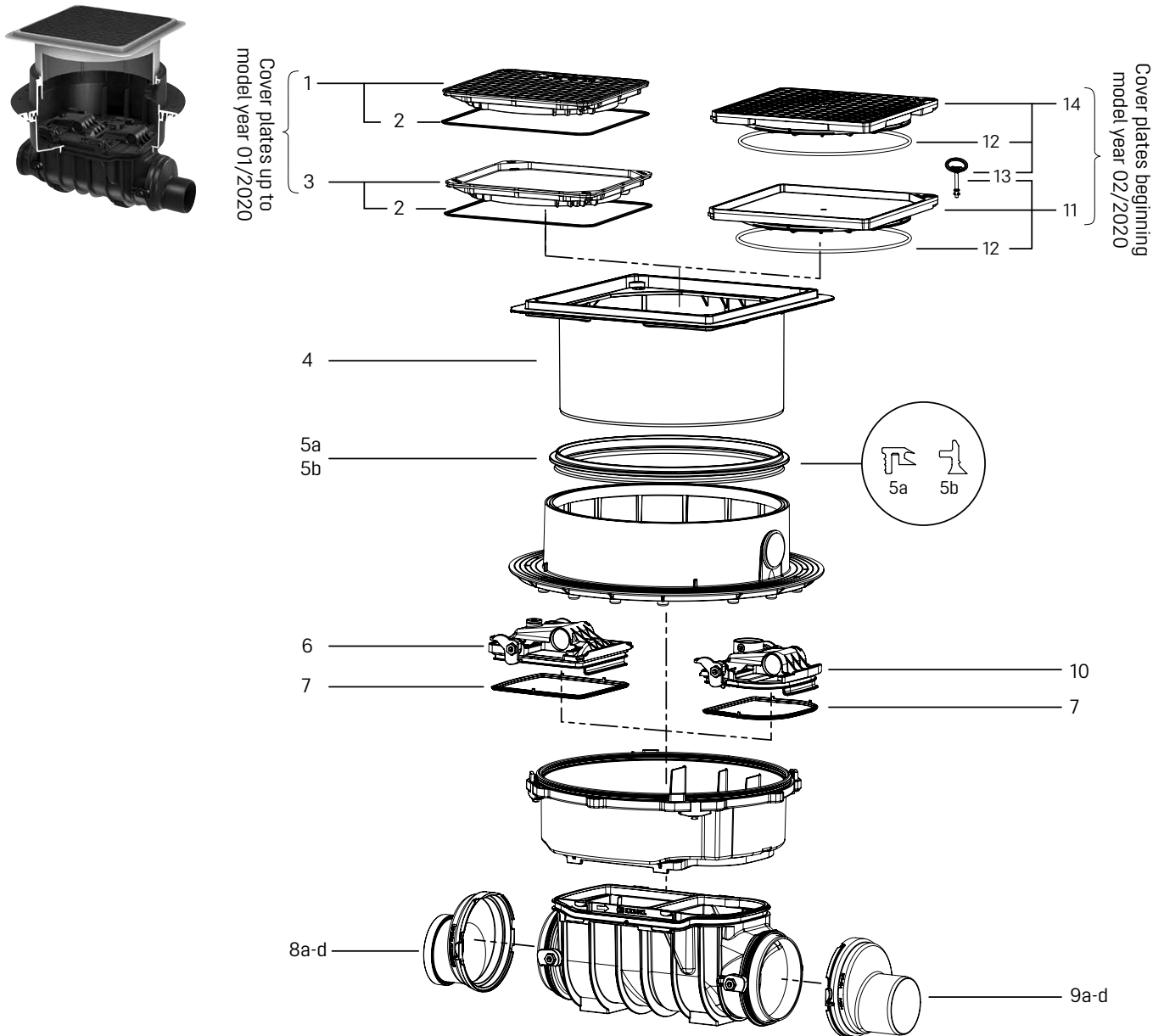


Clean out *Controlfix*

Installation in the floor slab, beginning model year 01/2011



Item	Designation	Art. no.
1	Cover plate, tileable, surface water resistant, 384 × 384 mm, with seal up to model year 01/2020	83 052
2	Seal for cover plate 384 × 384 mm	680 025
3	Cover plate, black, surface water resistant, 384 × 384 mm, with seal up to model year 01/2020	83 050
4	Upper section, Ø 330 mm, height-adjustable up to 170 mm, beginning model year 02/2020	830 061
5	Seal for upper section	
5a	up to model year 06/2014	680 026
5b	beginning model year 07/2014	680 150
6	Lockable cover, <i>Controlfix</i> , inlet side	80 011
7	Seal set for two-piece lockable cover	70 318
8	Socket incl. seal	
8a	Ø 110	83 085
8b	Ø 125	83 086

Item	Designation	Art. no.
8c	Ø 160	83 087
8d	Ø 200	83 088
9	Spigot incl. seal	
9a	Ø 110	83 081
9b	Ø 125	83 082
9c	Ø 160	83 083
9d	Ø 200	83 084
10	Lockable cover <i>Controlfix</i> , outlet side	80 012
11	Cover plate, tileable, surface water resistant, with seal, beginning model year 02/2020	830 052
12	Seal for cover plate, System 330 mm	686 114
13	Release key for <i>Lock & Lift</i> cover plates	67 007
14	Cover plate, black, surface water resistant, with seal, beginning model year 02/2020	830 050