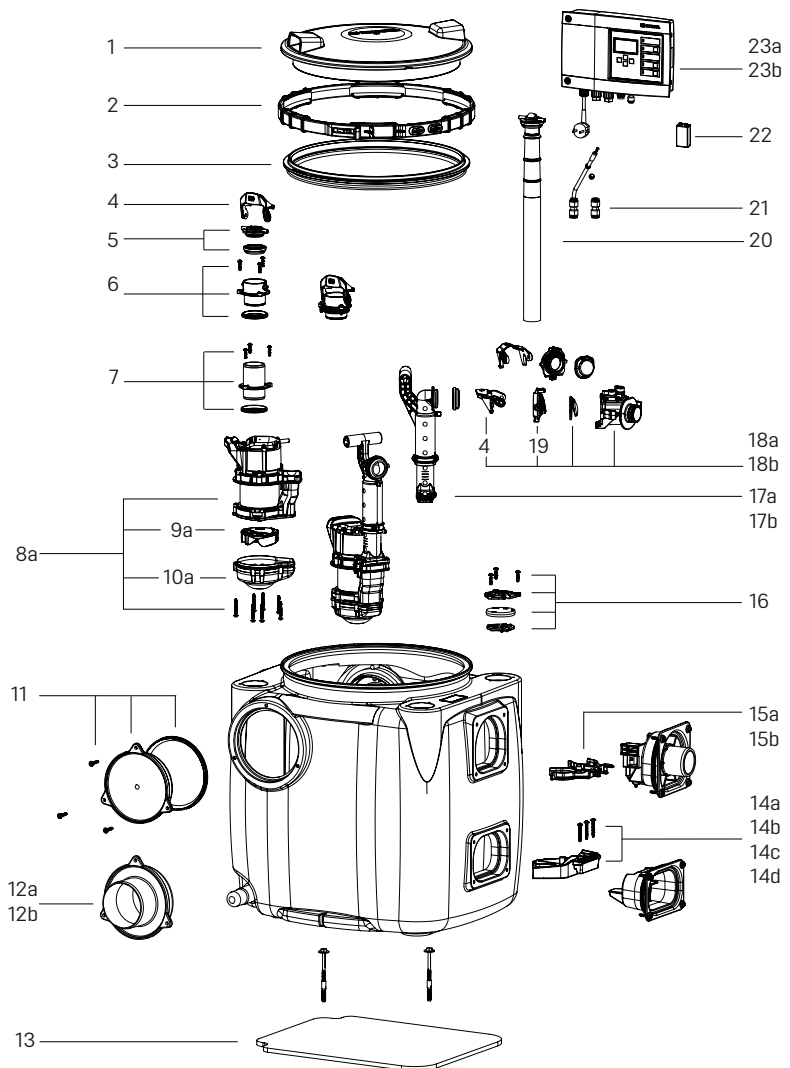
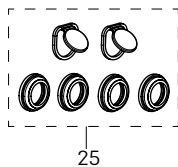
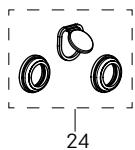
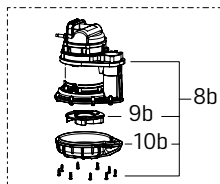


# Lifting station *Aqualift S 100 Tronic Mono/Duo*

## Free-standing installation



Item	Designation	Art. no.	Item	Designation	Art. no.
1	Cover	680 326	14	Pump hanger with screws for <i>Aqualift S</i>	
2	Clamp fastener for cover	680 975	14a	for GTF 600 Mono	680 967
3	Seal	680 150	14b	for GTF 1250 Mono	680 968
4	One-handed closure for backflow preventer	680 018	14c	for GTF 600 Duo	680 973
5	Cover with seal	680 076	14d	for GTF 1250 Duo	680 974
6	Immersion pipe connector for <i>Aqualift S 100/200</i>	680 985	15a	Bracket for pressure pipe for Mono	680 969
7	Ventilation connector spigot Ø 50 for <i>Aqualift S 100</i> incl. screws and seal	680 982	15b	Bracket for pressure pipe for Duo	680 972
8	Replacement pump		16	Cable entry for <i>Aqualift S 100/200</i>	680 981
8a	GTF 600 without float switch for <i>Aqualift S 100/200</i>	680 977	17	Pressure pipe Ø 32	
8b	GTF 1250 without float switch for <i>Aqualift S 100/200</i>	680 979	17a	for <i>Aqualift S 100</i> GTF 600	680 983
9	Impeller		17b	for <i>Aqualift S 100</i> GTF 1250	680 984
9a	GTF 600 for <i>Aqualift S 100/200</i>	680 887	18a	Flap housing Mono, with pressure pipe connection	680 761
9b	GTF 1250 for <i>Aqualift S 100/200</i>	680 804	18b	Flap housing Duo, with pressure pipe connection	680 781
10	Spiral housing		19	Pressure pipe connection	680 760
10a	GTF 600 for <i>Aqualift S 100/200</i>	680 888	20	Immersion pipe for <i>Aqualift S 100</i>	680 988
10b	GTF 1250 for <i>Aqualift S 100/200</i>	680 998	21	Quick fitting for the pressure hose, with 5 m hose	680 996
11	Blind cover for <i>Aqualift S 100/200</i> with screws and seal	680 980	22	Battery, 9 V block	680 034
12	Inlet connection		23a	Control unit Mono	28 731
12a	Ø 110 for <i>Aqualift S 100/200</i>	680 986	23b	Control unit Duo	28 746
12b	Ø 150 for <i>Aqualift S 100/200</i>	680 987	24	Seal set for <i>Aqualift S</i> Mono	680 490
13	Sound absorbing mat for <i>Aqualift S 100</i>	680 990	25	Seal set for <i>Aqualift S</i> Duo	680 491