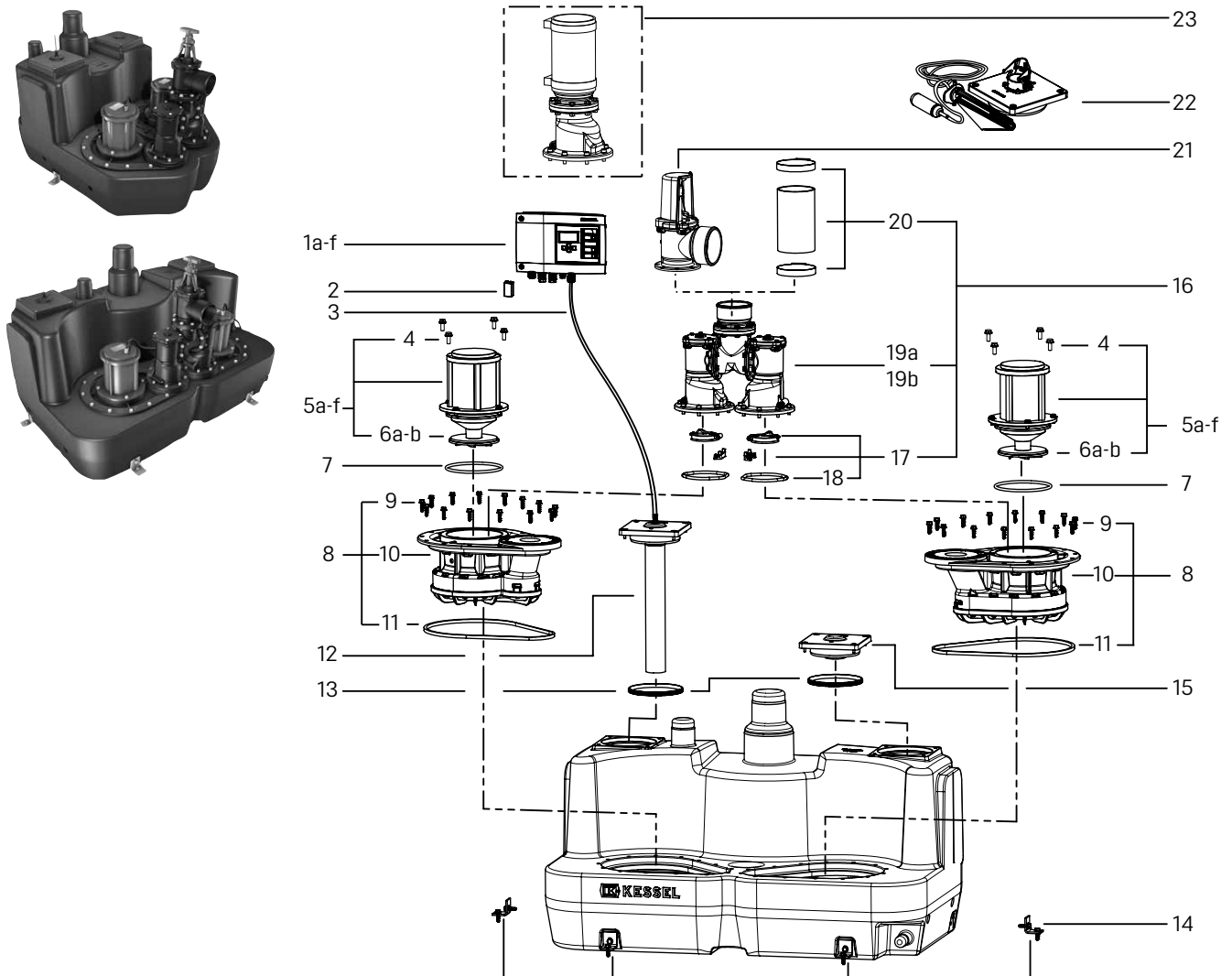


Lifting station *Aqualift F XL*, fittings made of polymer

(up to SPF 3000), Free-standing installation



Item	Designation	Art. no.	Item	Designation	Art. no.
1	Control unit		6b	for SPF 3000, for <i>Aqualift</i> lifting stations	680 642
1a	Comfort <i>Aqualift Mono</i> , 230 V	28 731	7	Flange seal for SPF 1400 – 4500	680 052
1b	Comfort <i>Aqualift Duo</i> , 230 V	28 746	8	Replacement pump flange set, <i>Aqualift F</i>	28 051
1c	Comfort <i>Aqualift Mono</i> , 2.5 – 4.0 A, 400 V for SPF 1500	28 755	9	Screw set, galvanised (14 ea.)	680 047
1d	Comfort <i>Aqualift Mono</i> , 4.0 – 6.3 A, 400 V for SPF 3000	28 756	10	Pump flange for SPF 1400 – 4500	680 050
1e	Comfort <i>Aqualift Duo</i> , 400 V, 2 × 2.5 – 4.0 A, for SPF 1500	28 757	11	Pump flange seal, <i>Aqualift F</i>	680 045
1f	Comfort, <i>Aqualift Duo</i> , 400 V, 2 × 4.0 – 6.3 A, for SPF 3000	28 758	12	Immersion pipe <i>Aqualift F XL</i> , 5 m hose	28 050
2	Battery, 9 V block	680 034	13	Seal Ø 160 for access cover	680 003
3	Pressure hose, 6 × 4 mm, 100 natural (sold by the metre)	680 071	14	Attachment bracket with screws (2 ea.)	680 046
4	Bolt set for pump	28 609	15	Cleaning cover, screwed, Ø 160	680 421
5	Motor with impeller		16	Flap housing with pressure hose, Ø 110	28 677
5a	SPF 1400, S3, 230 V, with capacitor, 5 m cable	28 029	17	Flap set with rolling ring seal, flap and flap holder	680 053
5b	SPF 1400, S1, 230 V, with capacitor, with 5 m cable	28 066	18	Seal Ø 125	680 002
5c	SPF 1500, S3, 400 V, 5 m cable	28 028	19a	Flap housing for Duo systems, without shut-off valve	680 061
5d	SPF 1500, S1, 400 V, 5 m cable	28 065	19b	Flap housing for Mono systems, without shut-off valve	680 060
5e	SPF 3000, S3, 400 V, 5 m cable	28 027	20	Flexible coupling Ø 110, for pressure pipes made of PE, 2 hose clamps	28 663
5f	SPF 3000, S1, 400 V, 5 m cable	28 064	21	Shut-off valve Ø 110, polymer, horizontal pressure pipe connection	28 683
6	Impeller		22	Float switch, additional alarm for lifting stations	28 014
6a	for SPF 1400 / 1500, for <i>Aqualift</i> lifting stations	680 643	23	Replacement set flap housing, <i>Aqualift F Mono</i> , Ø 110	28 676