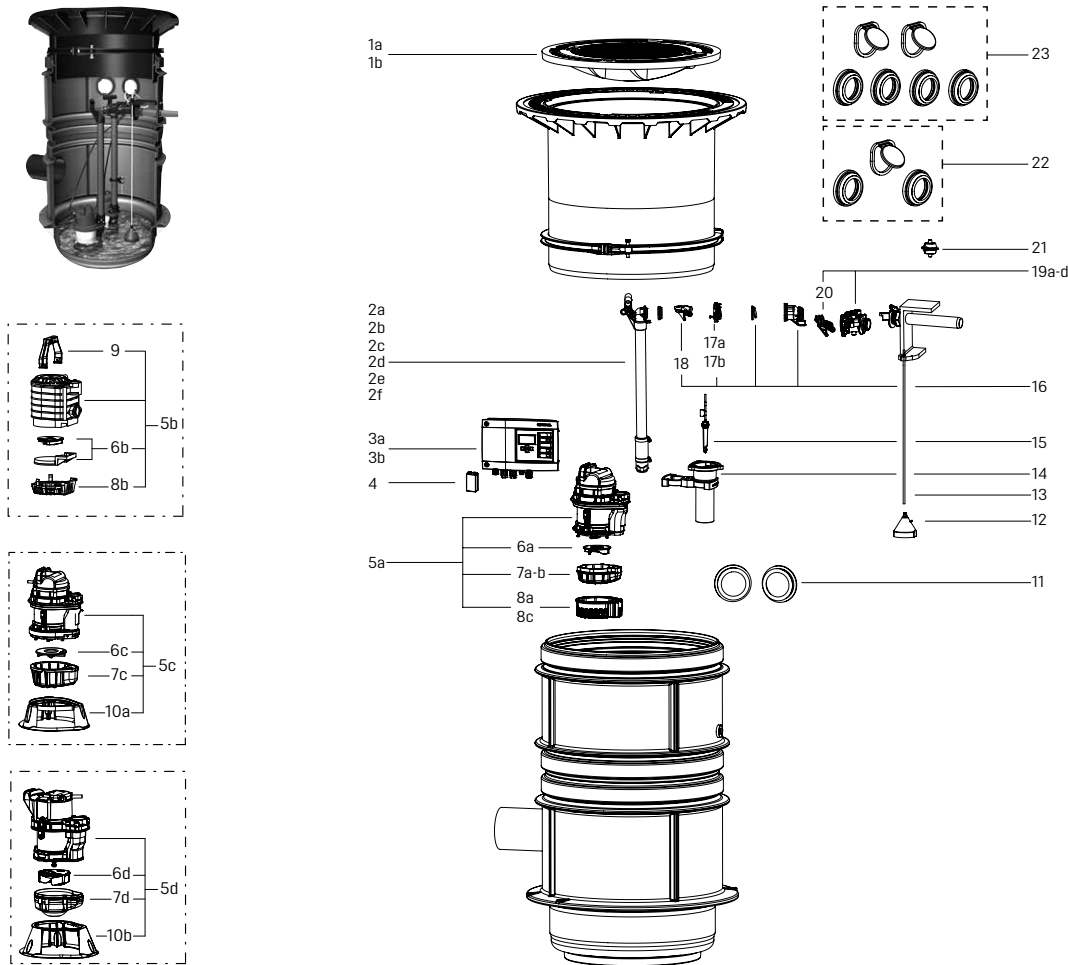


Pumping station *Aqualift S Mono/Duo*

in the chamber system Ø 600 with SDS control unit, installation in the ground



Item	Designation	Art. no.	Item	Designation	Art. no.
1a	Cover, class B, grey cast iron with concrete fill	860 131	8a	Intake cage for KTP 1000, with push-fit fastener	680 106
1b	Cover class D, grey cast iron, <i>Aqualift S Mono</i>	680 059	8b	Intake cage with push-fit fastener, for KTP 500	680 004
2	Riser (up to model year 01/2016)		8c	Intake cage for KTP 1000 for faecal-free wastewater, 10 mm	680 361
2a	Riser length approx. 200 mm	680 112	9	Pump handle for submersible pump KTP 500	680 007
2b	Riser length approx. 640 mm	680 113	10a	Pump stand for pumping stations <i>Aqualift S</i>	680 362
2c	Riser length approx. 1130 mm	680 114	10b	Pump stand GTF 600, free ball passage 30 mm	680 889
2d	Riser (beginning model year 02/2016)		11	Conduit pipe seal, Ø 110	850 117
2e	Riser length approx. 200 mm	680 449	12	Submersible pressure switch without hose	680 108
2f	Riser length approx. 640 mm	680 450	13	Pressure hose, 6 × 4 mm, 100 natural (sold by the metre)	680 071
3a	Control unit, Comfort, <i>Aqualift Mono</i> , 230 V*	28 731	14	Splash protection set for optical probe	28 706
3b	Control unit, Comfort, <i>Aqualift Duo</i> , 230 V*	28 746	15	Optical probe, 15 m cable	80 988
4	Battery, 9 V block	680 034	16	Flap holder with non-return flap	680 457
5a	Replacement pump KTP 1000, without float switch	28 760	17a	Pump connection suitable for pumping stations, up to model year 12/2015	680 065
5b	Replacement pump KTP 500	**	17b	Pump connection suitable for pumping stations, beginning 01/2016	680 476
5c	Replacement pump GTF 1200 without float switch for pumping station	680 595	18	One-handed closure for backflow preventer	680 018
5d	Replacement pump GTF 600	680 881	19	Pump coupling, <i>Aqualift S</i>	
6a	Impeller for KTP 1000, without intake cover, without spiral housing	680 035	19a	Mono up to model year 01/2016	680 109
6b	Impeller KTP 500, with intake cover	28 038	19b	Duo up to model year 01/2016	680 110
6c	Impeller for GTF 1200, ball passage 30 mm, without spiral housing	680 366	19c	Mono beginning model year 02/2016	680 479
6d	Impeller for GTF 600, free ball passage 30 mm	680 887	19d	Duo beginning model year 02/2016	680 480
7a	Spiral housing for KTP 1000 up to model year 03/2014	680 118	20	One-handed closure for threaded connection, black	680 698
7b	Spiral housing, KTP 1000, ball passage 10 mm, beginning 04/2014	680 364	21	Clamp for hydrostatic sensor and submersible pressure sensor	680 729
7c	Spiral housing for GTF 1200, ball passage 30 mm	680 363	22	Seal set for <i>Aqualift S</i> Ø 600/1000, Mono	680 490
7d	Spiral housing for GTF 600, free ball passage 30 mm	680 888	23	Seal set for <i>Aqualift S</i> Ø 600/1000, Duo	680 491

*Older control units are being replaced. See overview on page 107

* Will be replaced by new pump GTF 600, art. no. 680 881