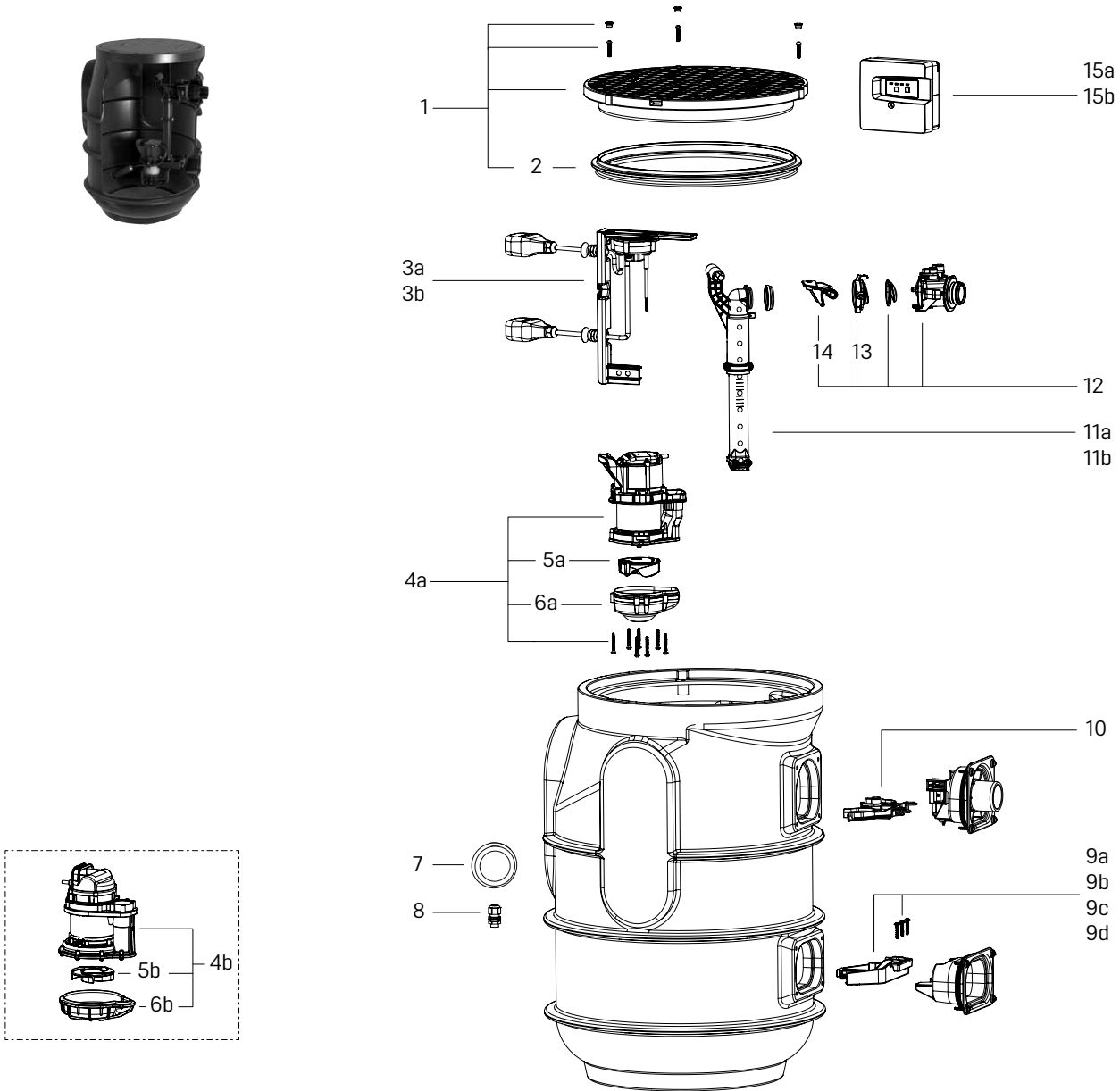


# Pumping station *Aqualift S Basic Mono/Duo Tronic*

Installation in the ground



| Item | Designation  | Art. no. | Item | Designation  | Art. no. |
|------|--|----------|------|--|----------|
| 1    | Cover plate round for <i>Aqualift F Basic</i> , with screws and seal | 680 801  | 9    | Pump hanger with screws for <i>Aqualift S</i>                  |          |
| 2    | Profiled lip seal for upper section                                  | 680 150  | 9a   | GTF 600 Mono   | 680 967  |
| 3    | Float switch unit for <i>Aqualift S Basic</i>                        |          | 9b   | GTF 1250 Mono  | 680 968  |
| 3a   | Mono   | 680 970  | 9c   | GTF 600 Duo  | 680 973  |
| 3b   | Duo  | 680 971  | 9d   | GTF 1250 Duo   | 680 974  |
| 4    | Replacement pump <i>Aqualift F Basic</i>                             |          | 10   | Holder pressure pipe for <i>Aqualift S</i>                     | 680 969  |
| 4a   | for GTF 600 without float switch                                     | 680 964  | 11   | Pressure pipe Ø 32 for Pumping station <i>Aqualift S Basic</i> |          |
| 4b   | for GTF 1250 without float switch                                    | 680 966  | 11a  | GTF 600  | 680 961  |
| 5    | Impeller   |          | 11b  | GTF 1250   | 680 962  |
| 5a   | GTF 600 for <i>Aqualift S Basic</i>                                  | 680 887  | 12a  | Flap housing Mono, with pressure pipe connection               | 680 761  |
| 5b   | GTF 1250 for <i>Aqualift S Basic</i>                                 | 680 804  | 12b  | Flap housing Duo, with pressure pipe connection                | 680 781  |
| 6    | Spiral housing   |          | 13   | Pressure pipe connection                                       | 680 760  |
| 6a   | GTF 600 for <i>Aqualift S Basic</i>                                  | 680 888  | 14   | One-handed closure for pump                                    | 680 380  |
| 6b   | GTF 1250 for <i>Aqualift S Basic</i>                                 | 680 999  | 15a  | Control unit Mono  | 680 541  |
| 7    | Conduit pipe seal Ø 110  | 850 117  | 15b  | Control unit Duo   | 680 818  |
| 8    | Cable gland with hexagon nut, M16                                    | 680 812  |      |  |          |