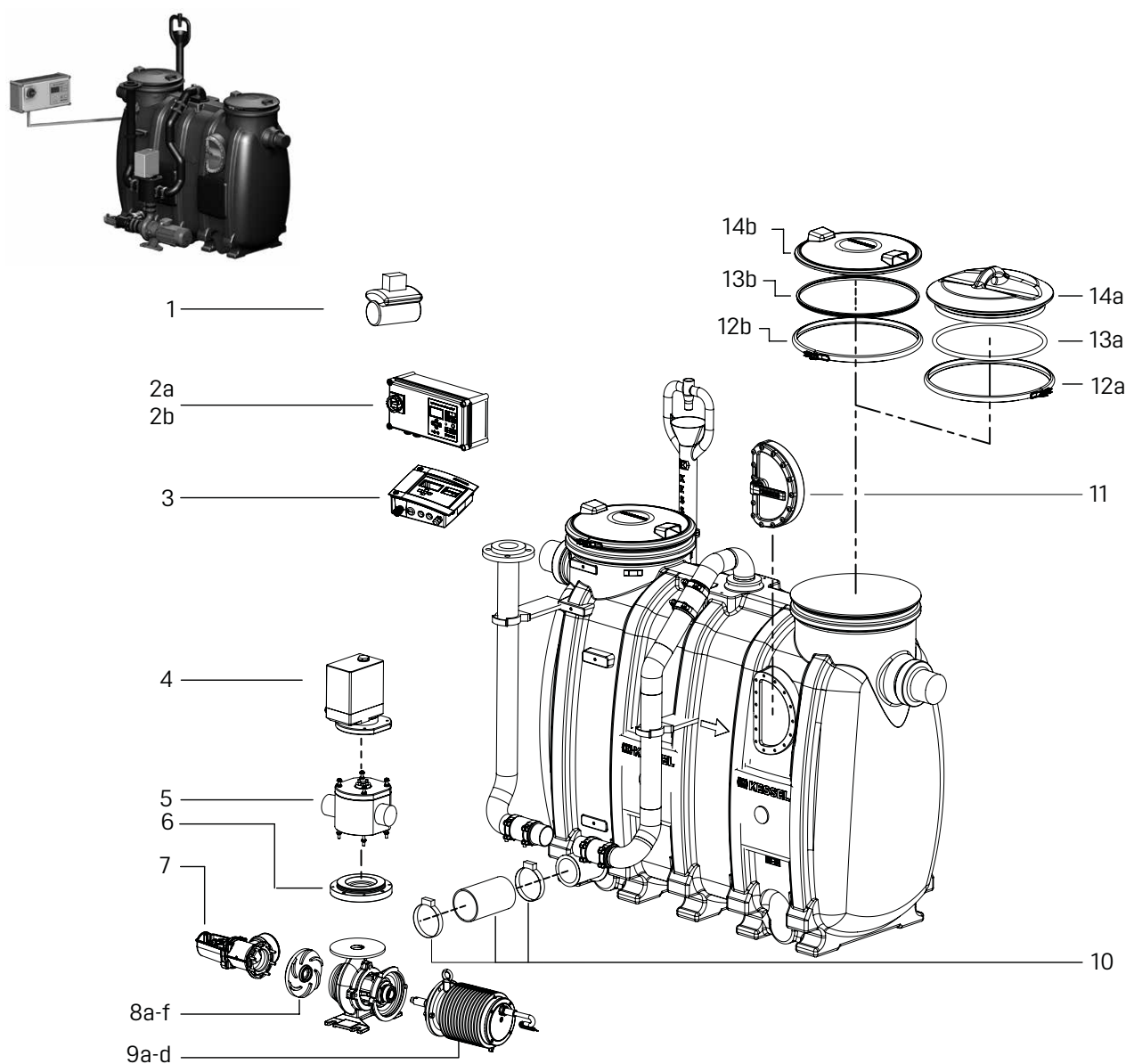


Grease separator Euro "E+S" PV

Free-standing set-up, up to model year 09/2013



Item	Designation	Art. no.	Item	Designation	Art. no.
1	Solenoid valve 1 inch (1 ea.)	85 047	9	Replacement pump	
2	Control unit		9a	SPF 260 KE, 2.6 kW	680 330
2a	for Auto Mix & Pump 2.6/3.0 and 4.0 kW	680 342	9b	SPF 300 KE 2.0, homogeniser, 3.0 kW	917 856
2b	for Auto Mix & Pump 5.5 kW	680 344	9c	SPF 400 KE, 4.0 kW	680 331
3	RemoteControl	916 601	9d	SPF 550 KE, 5.5 kW	680 332
4	Servo motor	680 832	10	Flexible coupling Ø 110, for pressure pipes (hose with 2 clamps)	28 663
5	2-way valve, redistributor	680 275	11	Inspection window for Euro grease separator	680 589
6	Adapter for grease separator pump	680 590	12	Clamp fastener	
7	Shut-off valve Ø 110, polymer, horizontal	28 683	12a	for cover Ø 420, up to model year 03/2004	680 325
8a	Radial impeller with cutting plate and agitator for 2.6 kW	917 850	12b	for cover Ø 420, beginning model year 04/2004	917 004
8b	Radial impeller with cutting plate and agitator for 3.0 kW	917 854	13	Seal	
8c	Radial impeller with cutting plate and agitator for 4.0 kW	917 851	13a	for cover Ø 420, up to model year 03/2004	680 217
8d	Radial impeller with cutting plate and agitator for 5.5 kW	917 852	13b	for cover Ø 420, beginning model year 04/2004	917 204
8e	Cutting plate for 2.6/4.0 and 5.5 kW	917 853	14	Cover	
8f	Cutting plate for 3.0 kW	917 855	14a	Ø 420, up to model year 03/2004	680 326
			14b	Ø 420, beginning model year 04/2004	916 904