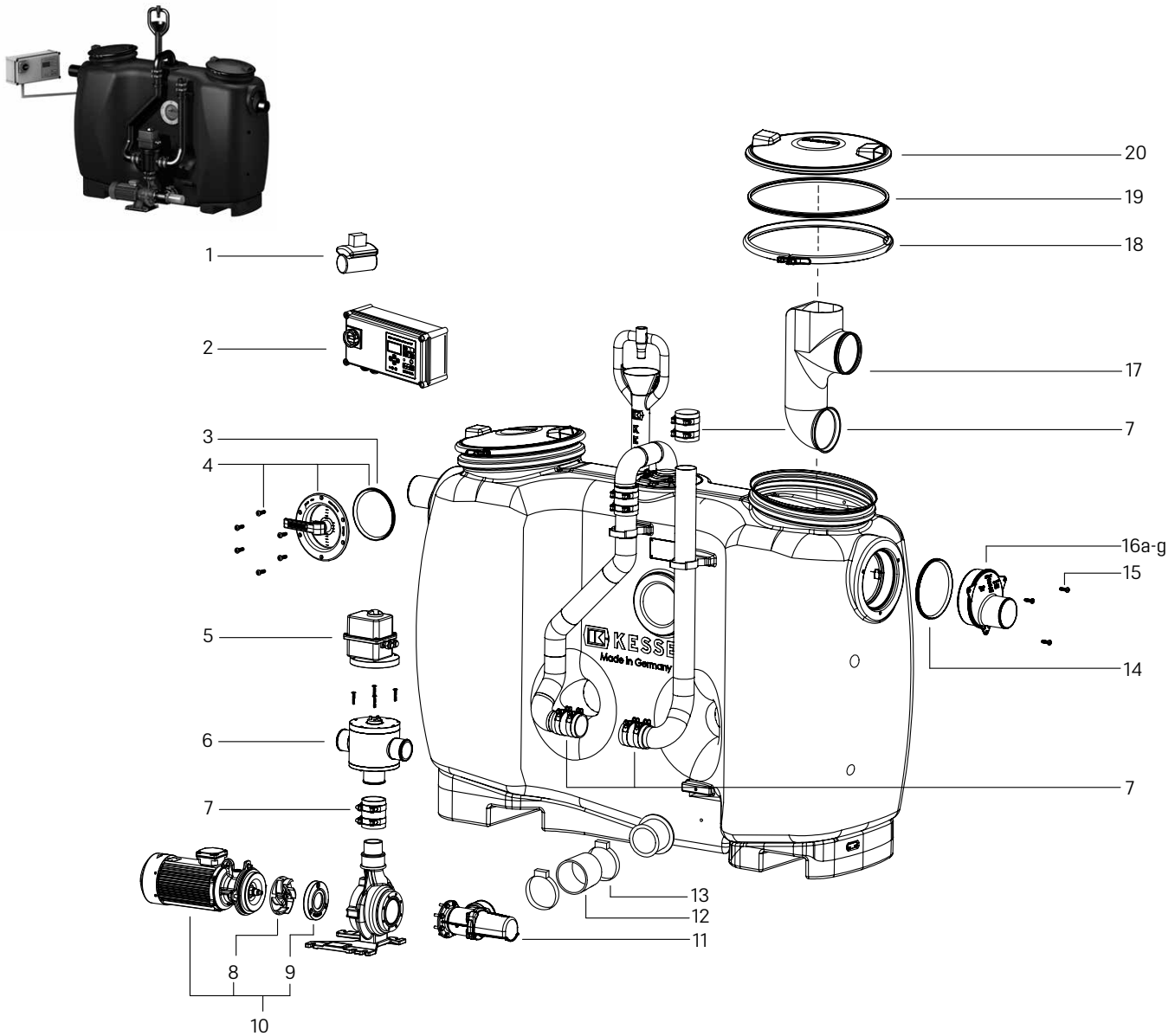


Grease separator *EasyClean* free Auto Mix & Pump

Free-standing set-up, beginning model year 10/2013



Item	Designation	Art. no.	Item	Designation	Art. no.
1	Solenoid valve 1 inch (1 ea.)	85 047	15	Screw 10×3, A2	680 164
2	Control unit Auto Mix & Pump 2.6, 3.0 and 4.0 kW	680 342	16	Inlet/outlet for grease separator	
3	Seal Ø 160 for inspection window	680 003	16a	Inlet NS 2 - 4	680 435
4	Inspection window for grease separator, <i>EasyClean</i> , with seal and screws	913 109	16b	Inlet NS 7 - 10	680 436
5	Servo motor	680 832	16c	Outlet NS 2	680 437
6	2-way valve, redistributor	680 275	16d	Outlet NS 3	680 890
7	Connection hose with hose clamps, Ø 75, L: 100 mm	680 555	16e	Outlet NS 4	680 437
8	Radial impeller with cutting plate and agitator for 3.0 kW	917 854	16f	Outlet NS 7	680 891
9	Cutting plate 3.0 kW	917 855	16g	Outlet NS 10	680 438
10	Replacement pump SPF 300 KE 2.0, homogeniser, 3.0 kW	917 856	17	Inlet/outlet structure for grease separator NS 2 - 10	680 439
11	Shut-off valve Ø 110, polymer, horizontal	680 329	18	Clamp fastener for cover Ø 420 mm, beginning model year 04/2004	917 004
12	Connection hose Ø 110, L: 100 mm	680 434	19	Seal for cover Ø 420, beginning model year 04/2004	917 204
13	Hose clamp Ø 110	680 126	20	Cover Ø 420, beginning model year 04/2004	916 904
14	Seal for inlet/outlet connection, Ø 200	680 128			