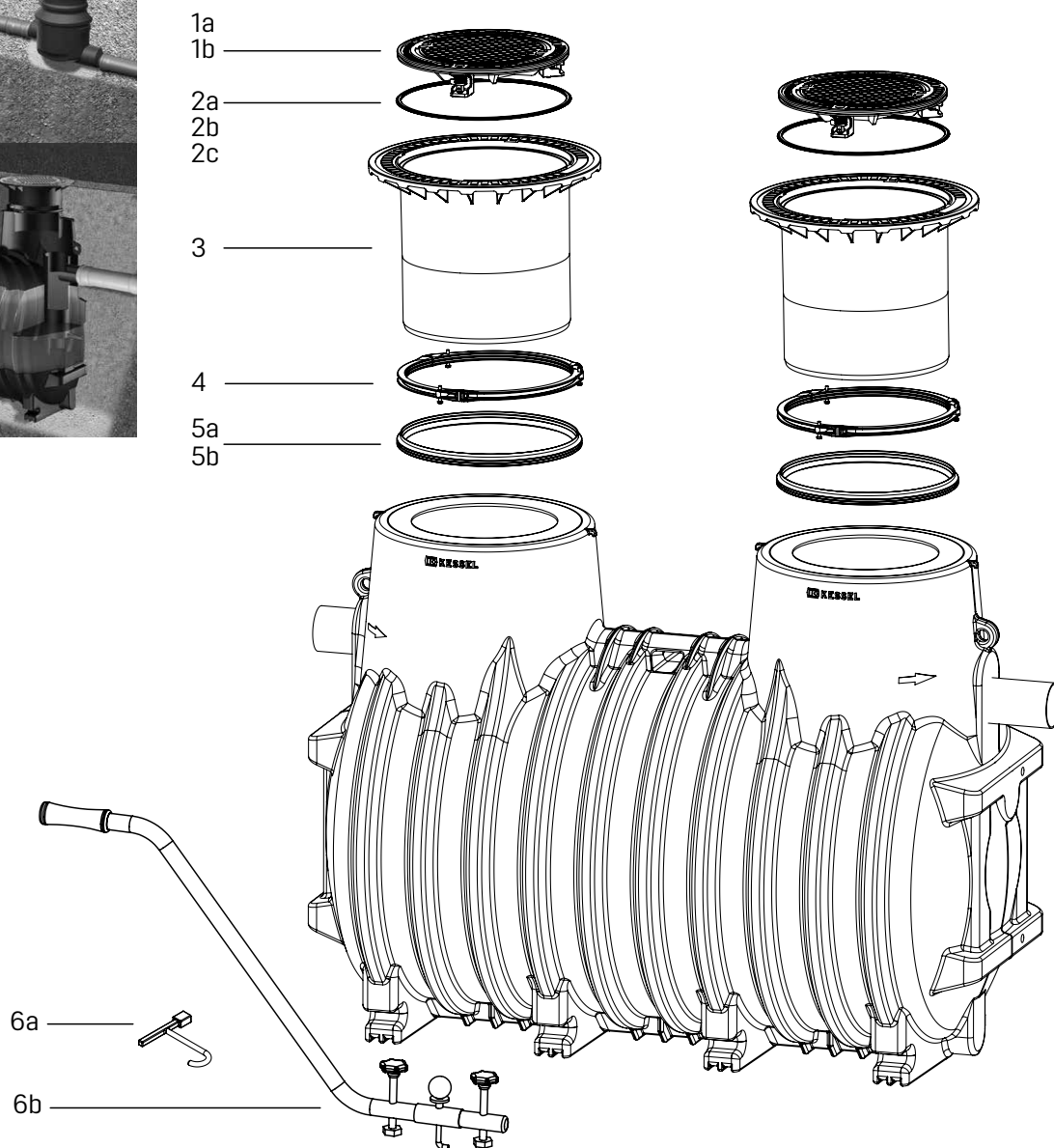
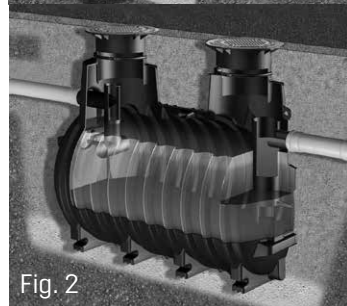
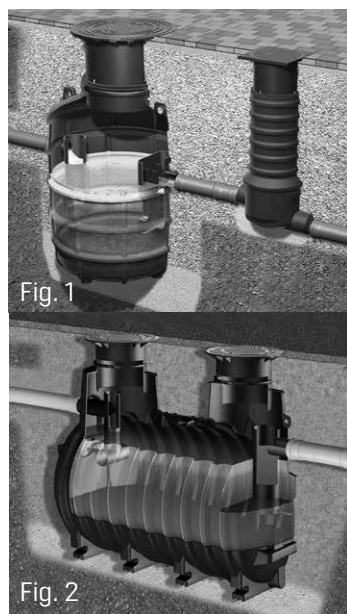


# Grease separator *EasyClean* ground Standard NS 1 - 35

For underground installation



Item	Designation	Art. no.
1	Cover plate made of grey cast iron, incl. seal	
1a	class A/B, surface water resistant	860 119
1b	class D	916 803
2	Seal	
2a	for screwed cover, up to model year 2003	917 101
2b	for cover Ø 625 mm, beginning model year 2004	917 201
2c	for lockable cover, beginning model year 2010	680 323
3	upper section Ø 630, surface water resistant	680 324

Item	Designation	Art. no.
4	Clamping ring for upper section Ø 600	680 276
5	Seal	
5a	for chamber system (Fig. 1) current version up to NS 4: for cistern (Figure 2) NS 7 - 35, up to model year 12/2014	860 116
5b	Ø 630 mm, for cistern (Fig. 2) NS 7 - 35, beginning model year 01/2015	860 104
6a	Removal key for cover plates	680 278
6b	Lifting tool, Goliath, for chamber cover plates	917 112