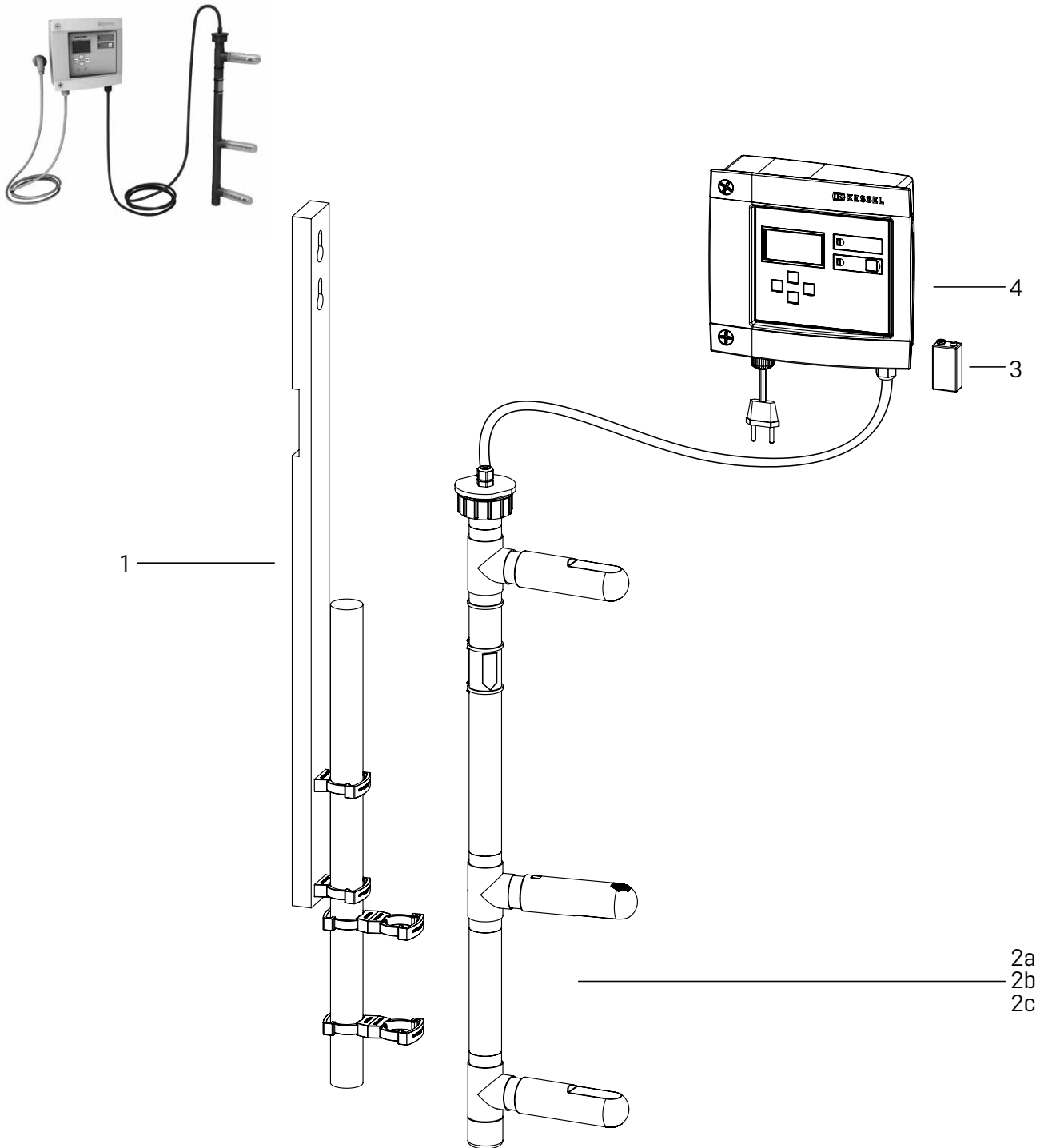


Automatic measuring device *SonicControl*

For installation in a light liquid separator



| Item | Designation | Art. no. |
|------|---|----------|
| 1 | Bracket for <i>SonicControl</i> , incl. pipe, clips and installation and operating instructions | 917 836 |
| 2 | Sensor <i>SonicControl</i> for light liquid separator for measurement of: | |
| 2a | OA (oil layer and backwater) | 917 842 |
| 2b | O (oil layer) | 917 844 |
| 2c | A (backwater) | 917 846 |

| Item | Designation | Art. no. |
|------|---|----------|
| 3 | Battery, 9 V block | 680 034 |
| 4 | Control unit <i>SonicControl</i> for light liquid separator | 680 347 |