

Pumping station *Aquapump Small*

for wastewater with or without sewage



CE EN 12050-1

Pump volume:

25 liters (Mono) / 60 liters (Tronic / Duo)

Polyethylene storage chamber for underground installation (installation depth max. 440 mm), drilling surfaces on three sides for inlet \varnothing 110/160 mm, pipe gasket and ventilation. With polymer cover, screwed, load class 300 kg.

Float switch controlled **single or twin removable wastewater pump(s)** with multi-vane impeller for wastewater with or without sewage (open channel passage 40 mm). Pump is rated submersible (IP 68). Pressure pipe connection \varnothing 50/63 mm with integrated non-return flap.

Control unit

Tronic versions with Basic control unit with self-diagnosis system (SDS), battery buffering, control unit is splash proof (IP 54).

Note:

- A ventilation pipe must be provided for on site.
- Consider frost free depth of pressure pipe.
- For installations without explosion proof requirements.

Accessories: page 167 – 170



Illustration shows Mono version Art. no. 829 710



Illustration shows Duo version Art. no. 828 711

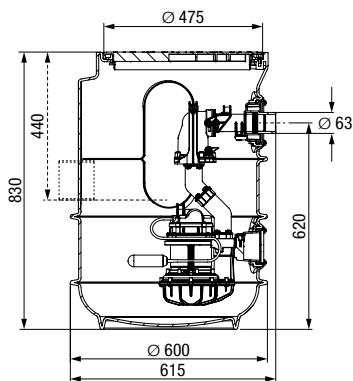


Illustration shows Mono version Art. no. 829 710

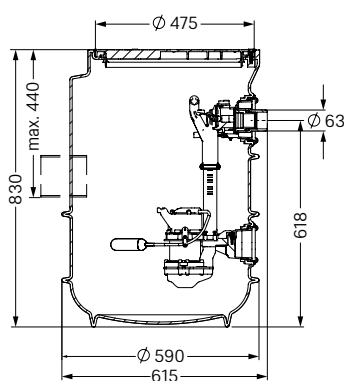


Illustration shows Mono version Art. no. 829 810

Pump type	Voltage	Amperage	Power (P1/P2)	RPM	Pumping capacity	Pumping height
STF 1300-S3-50%*	230 V ~ 50 Hz	6.0 A	1.3 kW / 0.8 kW	2.650 min ⁻¹	21 m ³ /h	max. 10 m
GTF 600-S1*	230 V ~ 50 Hz	2.9 A	0.65 kW / 0.4 kW	2.750 min ⁻¹	12 m ³ /h	max. 8 m
GTF 1250-S3*	230 V ~ 50 Hz	5.4 A	1.3 kW / 0.8 kW	2.700 min ⁻¹	20 m ³ /h	max. 11 m

* Definition of S1 and S3-pumps see page 101



With or without sewage

Mono version with one pump

STF pump	Level measurement	Art. no.
----------	-------------------	----------

Without control unit

1300-S3	float switch	829 710
---------	--------------	---------

With control unit

1300-S3	float switch	829 711
---------	--------------	---------

Duo version with two pumps

STF pump	Level measurement	Art. no.
----------	-------------------	----------

With control unit

1300-S3	float switch	828 711
---------	--------------	---------

Without sewage and rainwater

Mono version with one pump

GTF pump	Level measurement	Art. no.
----------	-------------------	----------

Without control unit

600-S1	float switch	829 810
1250-S3	float switch	829 850

With control unit

600-S1	float switch	829 811
1250-S3	float switch	829 851

Duo version with two pumps

GTF pump	Level measurement	Art. no.
----------	-------------------	----------

With control unit

600-S1	float switch	828 811
1250-S3	float switch	828 851

Pumping capacity

