

## Shower channel *Linearis Infinity 90*

with odour trap with water sealing height 50 mm

The narrow *Linearis Infinity* channel for walk-in showers is suitable for indoor linear drainage for household and commercial use. The channel profile made of AISI 316 stainless steel can be individually extended straight or at three (30, 45 and 90 degree) angles.

The drain body made of PP is equipped with sound and settlement absorbers. The channel contains a clip-on flange with factory-mounted waterproofing membrane according to EN 1253-1 and DIN 18534-1-W3-I. The channel profile can be pushed in the lengthwise and transverse direction in the clip-on flange to level out construction tolerance. Open seepage water openings, without flooding of the waterproofing level in the event of backwater.

With Odour trap with sealing water height of 50 mm.

### Version:

Type of waterproofing layer: factory-mounted waterproofing membrane

Seepage opening: open

Water exposure class in accordance to DIN 18534-1 (up to and including): W3-I

Sealing water height: 50 mm

Nominal size (Ø): 50 mm

### Drain body:

Length: 264 mm

Width: 111 mm

Min. design height: 90 mm

Outlet size (Ø): 50 mm OD, lateral

Material of drain body: PP

### Cover features:

Cover material: AISI 316 stainless steel

Min. flooring height: 11 mm

Max. flooring height: 25 mm

Load class: K 3 (EN 1253-1)

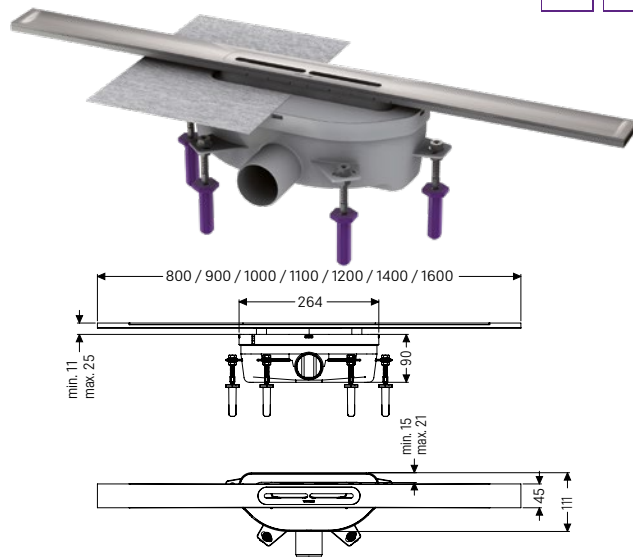
Width: 45 mm

Choose - length, color, odour trap

### Discharge rate (l/s):

with 10 mm threshold: 0.6 l/s

with 20 mm threshold: 0.8 l/s



### Odour trap with sealing water height 50 mm

Channel length in mm	Art. no.
----------------------	----------

Surface: stainless steel, brushed

800	45 200.08
900	45 200.09
1000	45 200.10
1100	45 200.11
1200	45 200.12
1400	45 200.14
1600	45 200.16

Surface: Black, brushed

800	45 202.08
900	45 202.09
1000	45 202.10
1100	45 202.11
1200	45 202.12

Surface: Copper, brushed

800	45 203.08
900	45 203.09
1000	45 203.10
1100	45 203.11
1200	45 203.12

Surface: Bronze, brushed

800	45 204.08
900	45 204.09
1000	45 204.10
1100	45 204.11
1200	45 204.12

